

6

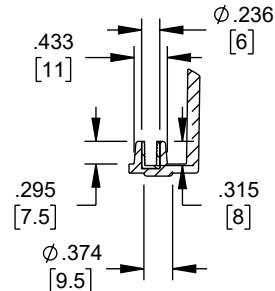
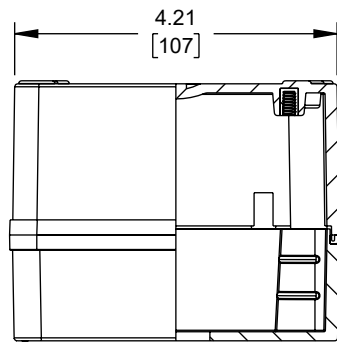
5

4

3

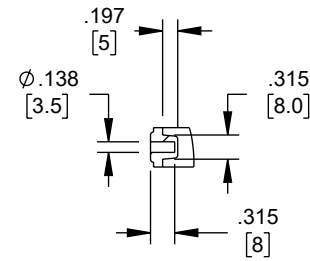
2

1

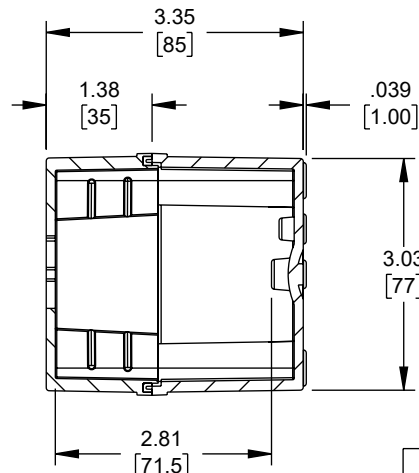
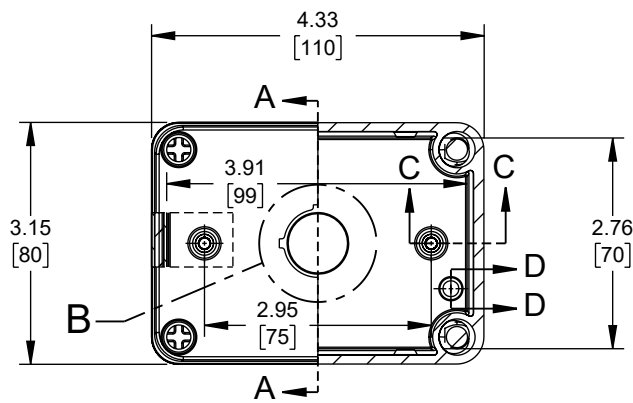
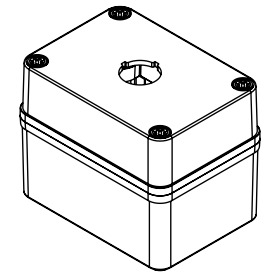


SECTION C-C

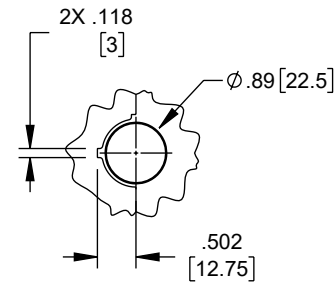
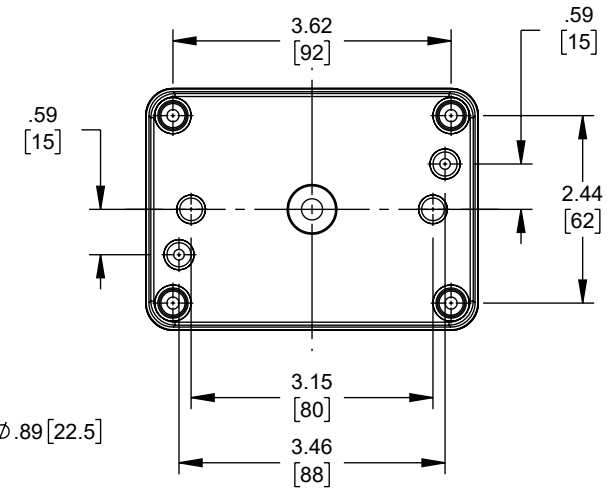
| REVISION |     |                 |            |            |           |
|----------|-----|-----------------|------------|------------|-----------|
| ZONE     | REV | DESCRIPTION     | DATE       | CHANGED BY | APPROVED  |
|          | A   | INITIAL RELEASE | 12/07/2023 | KGLEBOVA   | THOUGHTON |



SECTION D-D



SECTION A -A



DETAIL B

## NOTES:

- PACKAGING: SHALL BE PACKAGED AS PER L-COM SPEC PKG-00070
- ALL DIMENSIONS FOR REFERENCE ONLY.

## REGULATORY COMPLIANCE:

EU RoHS DIRECTIVE (MOST RECENTLY RELEASED VERSION).

THE INFORMATION CONTAINED IN THIS DRAWING IS THE SOLE PROPERTY OF INFINITE ELECTRONICS, INC. ANY REPRODUCTION IN PART OR WHOLE WITHOUT THE WRITTEN PERMISSION OF INFINITE ELECTRONICS, INC. IS PROHIBITED. THESE COMMODITIES, TECHNOLOGY OR SOFTWARE WERE EXPORTED FROM THE UNITED STATES IN ACCORDANCE WITH THE EXPORT ADMINISTRATION REGULATIONS. DIVERSION CONTRARY TO U.S. LAW PROHIBITED.

UNLESS OTHERWISE SPECIFIED  
LEADING DIMENSIONS ARE INCHES  
DIMENSIONS IN [ ] ARE MILLIMETERS

## TOLERANCES:

X =  $\pm 2$  [5]      FRACTIONS  
XX =  $\pm 02$  [0.5]       $\pm 1/32$   
XXX =  $\pm .005$  [0.13]      ANGLES  $\pm 1^\circ$

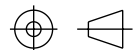
## CABLE LENGTH TOLERANCES:

$\leq 12$  [305] =  $+1$  [25] / -0  
>12 [305]  $\leq 60$  [1524] =  $+2$  [51] / -0  
>60 [1524]  $\leq 120$  [3048] =  $+4$  [102] / -0  
>120 [3048]  $\leq 300$  [7620] =  $+6$  [152] / -0  
>300 [7620] =  $+5\%$  / -0

ALL DIMENSIONS ARE FOR REFERENCE ONLY  
AND SUBJECT TO CHANGE WITHOUT NOTICE  
UN-DIMENSIONED/NON-CRITICAL FEATURES  
MAY VARY IN SIZE AND LOCATION  
COLORS MAY VARY

**L-com**  
an INFINIT<sup>®</sup> brand

Website: [www.L-com.com](http://www.L-com.com)  
Phone: 1.800.341.5266 | 1.978.682.6936



INTERPRET ALL DIMENSIONS AND  
TOLERANCES PER ASME Y14.5

SCALE: NONE      SHEET: 1 OF 1

## DESCRIPTION

PUSHBUTTON ENCLOSURE, 1 HOLE, 22.5MM, POLYESTER,  
GRAY

| SIZE | CAGE CODE | DRAWN BY | ITEM NO.         | REV |
|------|-----------|----------|------------------|-----|
| A    | 43321     | KGLEBOVA | LC-PCG-0811-1-B1 | A   |

6

5

4

3

2

1